



**LB-530-NF Broadband Horn Antenna 0.5-3.0 GHz 11dB Gain N Type Female**

Broadband Horn Antenna Operating From 0.5 GHz to 3.0 GHz With a Nominal 11 dB Gain With N Type Female Connector

### Product Information

SKU	LB-530-NF	Patents	ZL201630454778.X (China)
-----	-----------	---------	--------------------------

### Description

Broadband horn antenna LB-530-NF, operating from 0.5 to 3 GHz with a nominal 11dB gain and low VSWR 1.5:1 with N Type Female output connector. The model LB-530-NF has uniform gain through its frequency span, providing efficient performance characteristics and directionality. It can handle 500 W continuously and 800 W peak power. Constructed of lightweight corrosion-resistant aluminum, the antenna will provide years of trouble-free indoor and outdoor service. This broadband horn antenna is linearly polarized and ideally suited for EMI testing, direction finding, surveillance, antenna gain and pattern measurements and other applications.

### Technical Specification

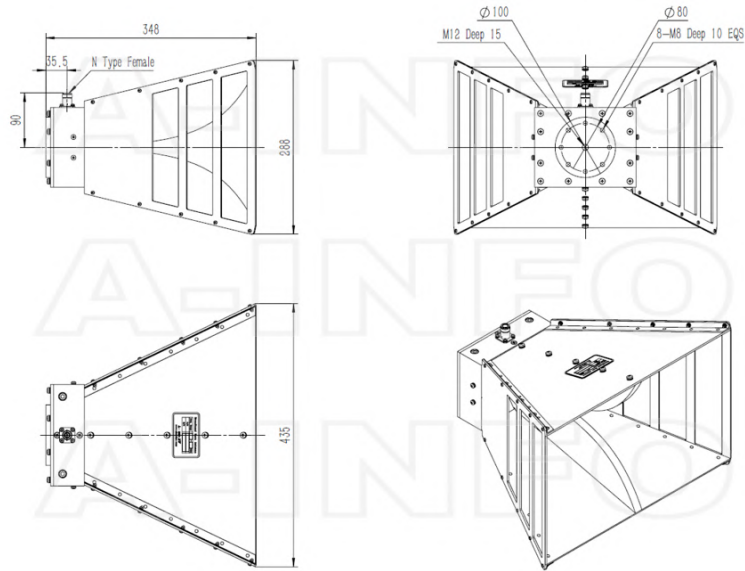
Electrical Specification		Interface	
Frequency, Min (GHz)	0.5	Output Type	Coaxial
Frequency, Max (GHz)	3	Connector	N Type
Gain, Typ (dBi)	11	Connector Gender	Female
Polarization	Linear	Mechanical Specification	
3dB Beamwidth, E-Plane, Min (Deg.)	33	Body Material	Al
3dB Beamwidth, E-Plane, Max (Deg.)	97	Finish	Chemical Conversion Coating and Sand Blasting
3dB Beamwidth, H-Plane, Min (Deg.)	34	Size, W (mm)	435
3dB Beamwidth, H-Plane, Max (Deg.)	75	Size, H (mm)	288
Cross Pol. Isolation, Typ (dB)	30	Size, L (mm)	348
VSWR, Typ	1.5:1	Weight, (kg)	6.8
Impedance, (Ohm)	50		
Power Handling, CW, (W)	500		
Power Handling, Peak, (W)	800		

## Additional Information

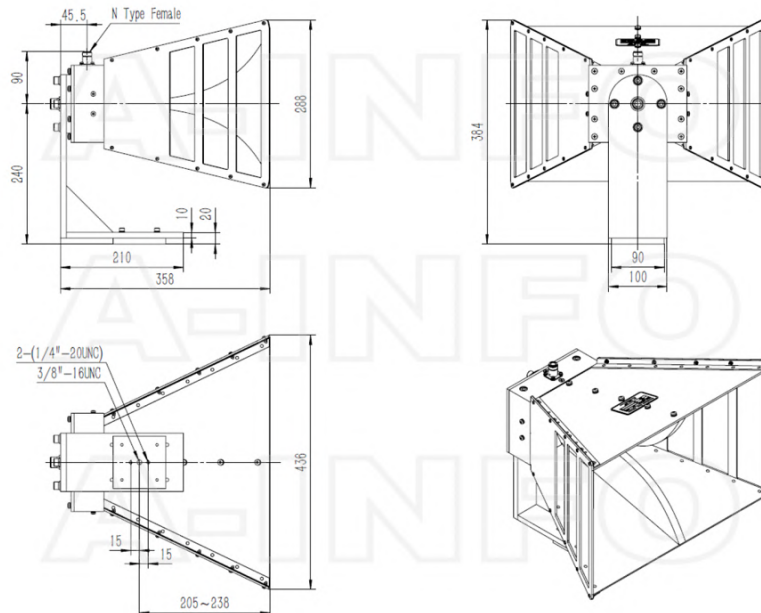
Application	General Purpose Indoor & Outdoor, Fixed	Solution for	Gain Reference Antenna Measurement Reflector Feed Far-field Measurement System Intergration
-------------	---	--------------	---

## Outline Drawing

N-Female Output (P/N: LB-530-NF)

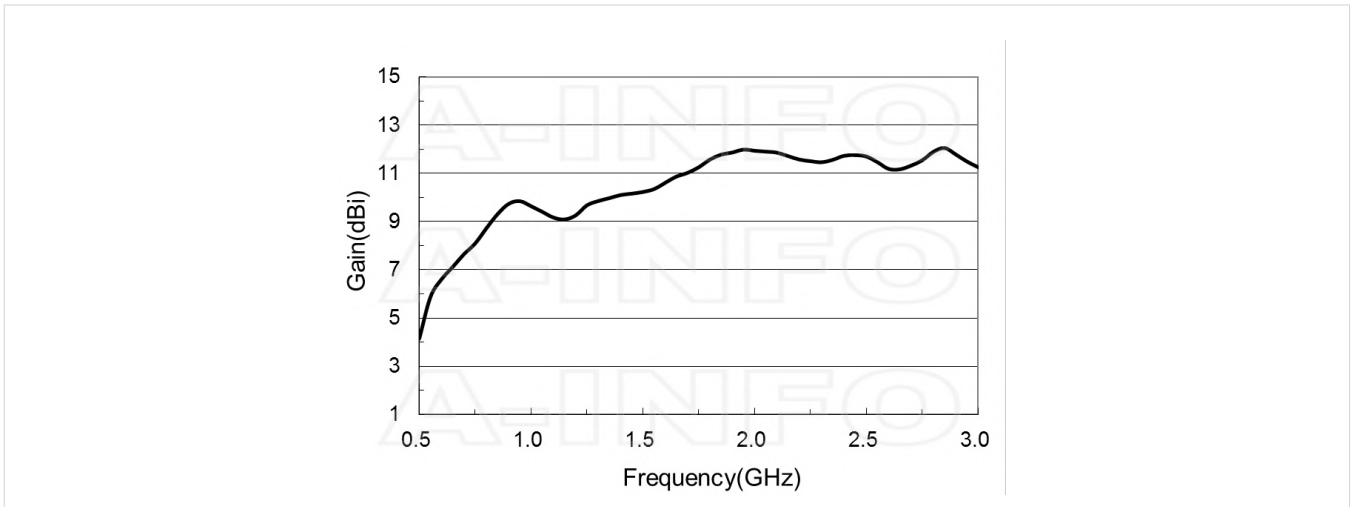


N-Female Output with L Type Mounting Bracket (Option, P/N: LB-660-L)

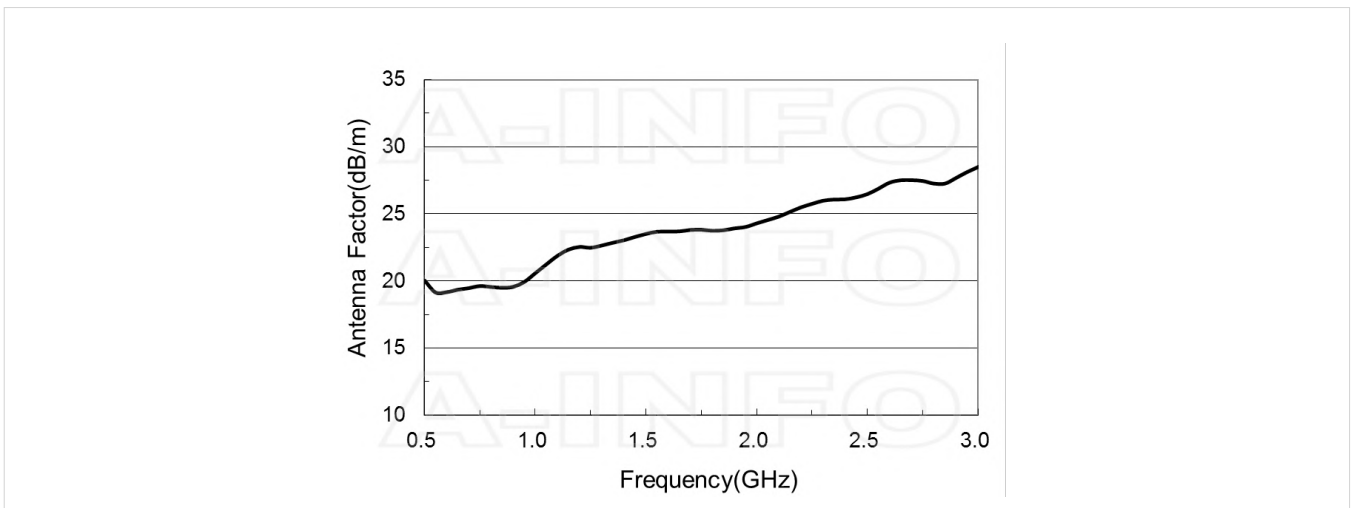


## Typical Test Results

### Gain



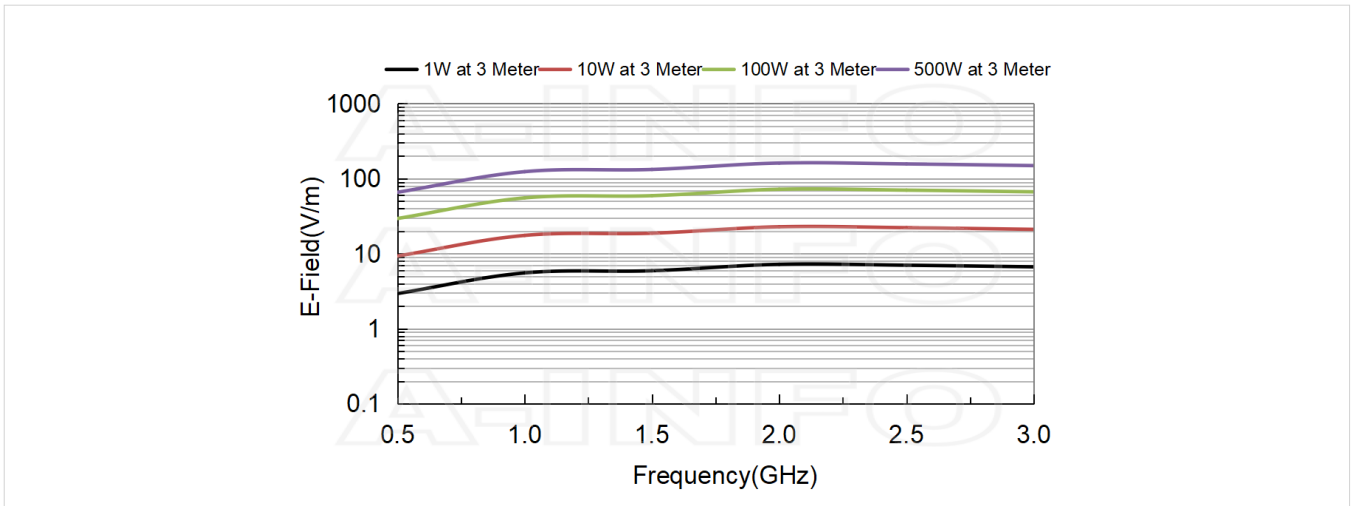
### Antenna Factor



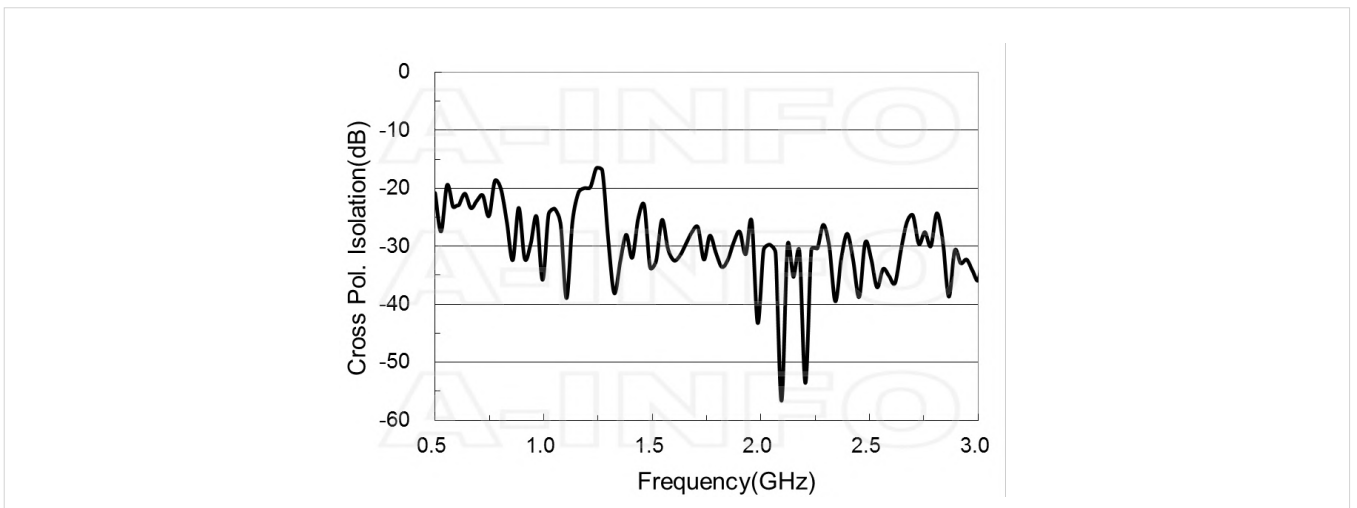
### Antenna Factor (Table)

Frequency(GHz)	Gain(dBi )	Antenna Factor(dB/m)
0.5	4.14	20.05
0.6	6.61	19.16
0.7	7.65	19.46
0.8	8.72	19.55
0.9	9.73	19.56
1.0	9.64	20.57
1.5	10.23	23.51
2.0	11.94	24.29
2.5	11.70	26.47
3.0	11.26	28.50

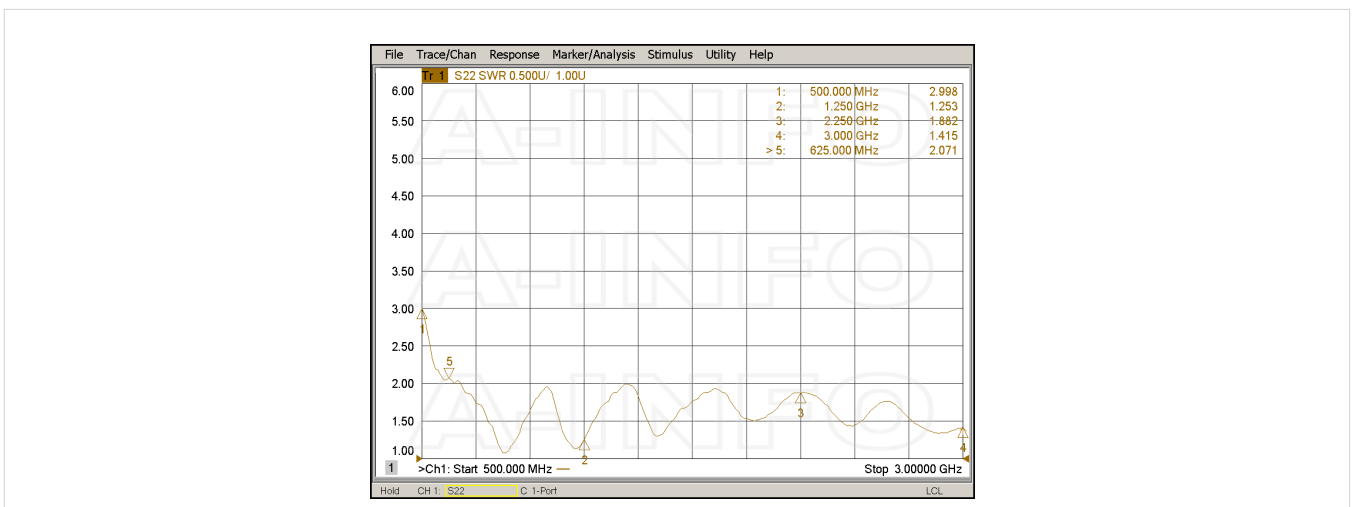
## Field Strength



## Cross Polarization Isolation

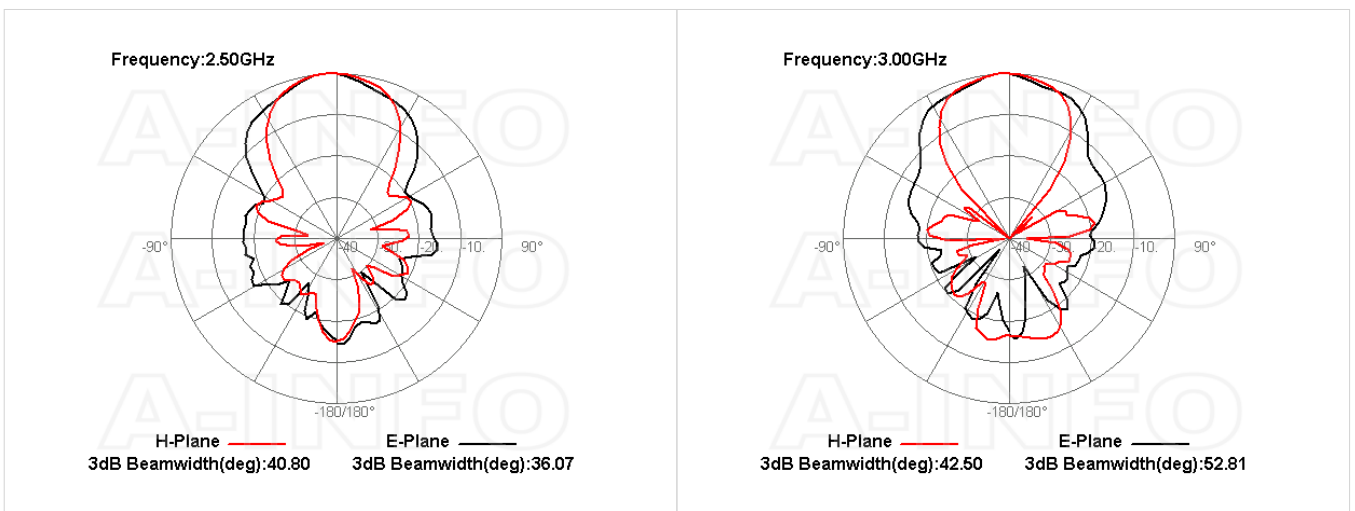
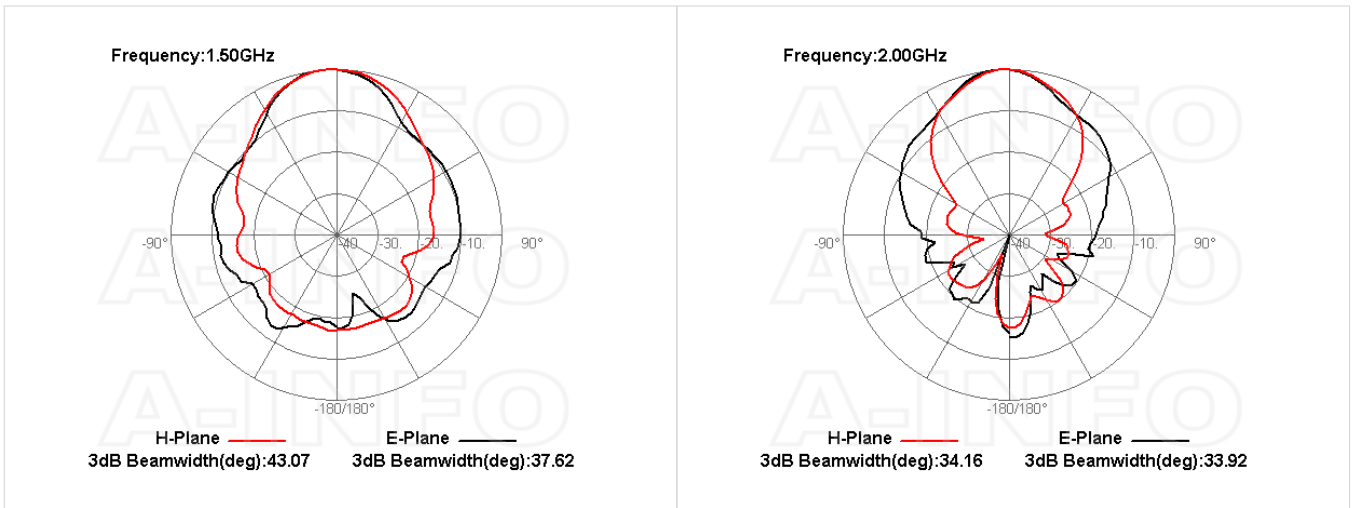


## VSWR



Pattern





## Related Products



LB-660-L L Type Mounting Bracket



Tripod\_50Kg Al Alloy Tripod



Carrying Case\_LB-660 Al Alloy Carrying Case



NM-NM-A050-1000 Flexible Cable Assembly 1000mm DC-18GHz N Male to N Male



NM-NM-A050-1500 Flexible Cable Assembly 1500mm DC-18GHz N Male to N Male



NM-NM-A050-2000 Flexible Cable Assembly 2000mm DC-18GHz N Male to N Male



NM-NM-A050-3000 Flexible Cable Assembly 3000mm DC-18GHz N Male to N Male



NM-NM-A050-5000 Flexible Cable Assembly 5000mm DC-18GHz N Male to N Male



NM-NM-A050-10000 Flexible Cable Assembly 10000mm DC-18GHz N Male to N Male



NM-NM-A050-20000 Flexible Cable Assembly 20000mm DC-18GHz N Male to N Male



NM-NM-A100-500 Flexible Cable Assembly 500mm DC-18GHz N Male to N Male



NM-NM-A100-1000 Flexible Cable Assembly 1000mm DC-18GHz N Male to N Male



NM-NM-A100-1500 Flexible Cable Assembly 1500mm DC-18GHz N Male to N Male



NM-NM-A100-2000 Flexible Cable Assembly 2000mm DC-18GHz N Male to N Male



NM-NM-A100-3000 Flexible Cable Assembly 3000mm DC-18GHz N Male to N Male



NM-NM-A100-5000 Flexible Cable Assembly 5000mm DC-18GHz N Male to N Male



NM-NM-A100-10000 Flexible Cable Assembly 10000mm DC-18GHz N Male to N Male



NM-NM-A100-20000 Flexible Cable Assembly 20000mm DC-18GHz N Male to N Male



### Similar Products



LB-530-NFSPO Broadband Horn Antenna 0.5-3GHz 11dB Gain N Type Female



LB-530-NFSPS Broadband Horn Antenna 0.5-3GHz 11dB Gain N Type Female



LB-560-NF Broadband Horn Antenna 0.5-6.0 GHz 11dB Gain N Type Female



LB-560-NFSPO Broadband Horn Antenna 0.5-6GHz 11dB Gain N Type Female



LB-660-NF Broadband Horn Antenna 0.6-6.0 GHz 11dB Gain N Type Female



LB-660-NFSPO Broadband Horn Antenna 0.6-6GHz 11dB Gain N Type Female



LB-OSJ-0460-NF Open Boundary Quad-Ridged Dual Polarization Horn Antenna 0.4-6GHz 12dB Gain N Type Female



LB-OSJ-0460-SF Open Boundary Quad-Ridged Dual Polarization Horn Antenna 0.4-6GHz 12dB Gain SMA Female



LB-OSJ-0760-NF Open Boundary Quad-Ridged Dual Polarization Horn Antenna 0.7-6GHz 11dB Gain N Type Female



LB-OSJ-0760-SF Open Boundary Quad-Ridged Dual Polarization Horn Antenna 0.7-6GHz 11dB Gain SMA Female

### About this Datasheet

- **Product Information**

Product Link:  
<https://www.ainfoinc.com/lb-530-nf-broadband-horn-antenna-0-5-3-0-ghz-11db-gain-n-type-female>  
 Data subject to change without notice.  
 © A-INFO INC. 2024. All Rights Reserved

- **Contact Us**

Address:  
 60 Tesla, Irvine, CA 92618, USA

Website:  
[www.ainfoinc.com](http://www.ainfoinc.com)

Email:  
[sales@ainfoinc.com](mailto:sales@ainfoinc.com)

- **Phone & Fax**

Phone:  
 +1-949-639-9688  
 +1-949-639-9608

Fax:  
 +1-949-639-9670