



LB-530-NFSPO Broadband Horn Antenna 0.5-3GHz 11dB Gain N Type Female

Broadband Horn Antenna Operating From 0.5GHz to 3GHz With a Nominal 11dB Gain With N Type Female Connector

### Product Information

SKU	LB-530-NFSPO	Patents	ZL201630454778.X (China)
-----	--------------	---------	--------------------------

### Description

Broadband horn antenna LB-530-NFSPO, operating from 0.5 to 3GHz with a nominal 11dB gain and low VSWR 1.5:1 with N Type Female output connector. The model LB-530-NFSPO has uniform gain through its frequency span, providing efficient performance characteristics and directionality. It can handle 500W continuously and 800W peak power. Constructed of lightweight corrosion-resistant aluminum, the horn comes with a specially designed weatherproof radome which provides excellent protection against the rain and dust but has very little loss across the full operating frequency band. This broadband horn antenna is linearly polarized and ideally suited for EMI testing, direction finding, surveillance, antenna gain and pattern measurements and other applications.

### Technical Specification

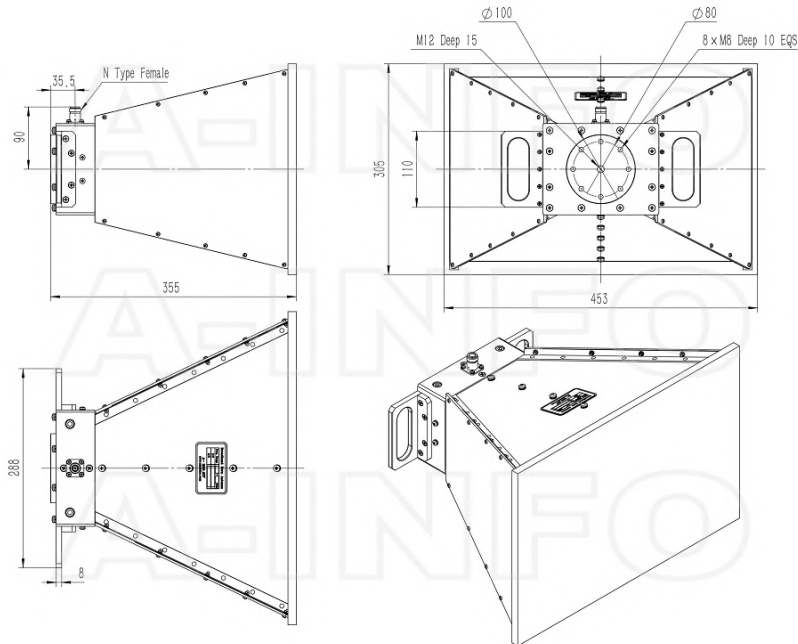
Electrical Specification		Interface	
Frequency, Min (GHz)	0.5	Output Type	Coaxial
Frequency, Max (GHz)	3	Connector	N Type
Gain, Typ (dBi)	11	Connector Gender	Female
Polarization	Linear	Mechanical Specification	
3dB Beamwidth, E-Plane, Min (Deg.)	33	Body Material	Al
3dB Beamwidth, E-Plane, Max (Deg.)	97	Finish	Chemical Conversion Coating and Sand Blasting, Gray Paint
3dB Beamwidth, H-Plane, Min (Deg.)	34	Size, W (mm)	453
3dB Beamwidth, H-Plane, Max (Deg.)	75	Size, H (mm)	305
Cross Pol. Isolation, Typ (dB)	30	Size, L (mm)	355
VSWR, Typ	1.5:1	Weight, (kg)	7.72
Impedance, (Ohm)	50		
Power Handling, CW, (W)	500		
Power Handling, Peak, (W)	800		

## Additional Information

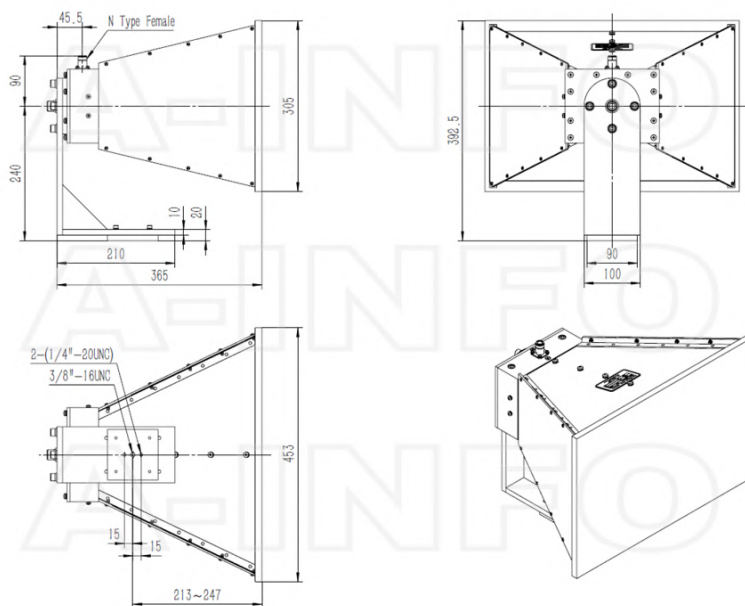
Application	Outdoor, Waterproof and Dustproof, Fixed	Solution for	Gain Reference Antenna Measurement Reflector Feed Far-field Measurement System Intergration
-------------	--	--------------	---

## Outline Drawing

N-Female Output with Radome (Option, P/N: LB-530-NFSPO, Outdoor Application)

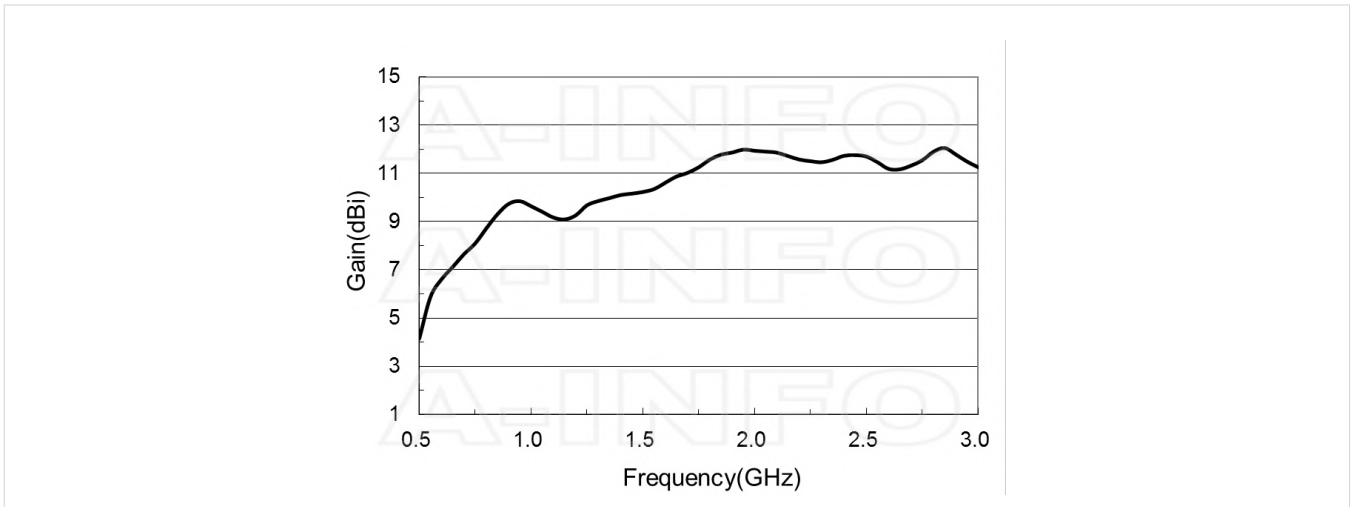


N-Female Output with L Type Mounting Bracket and Radome (Option, P/N: LB-660-L&LB-530-NFSPO, Outdoor Application)

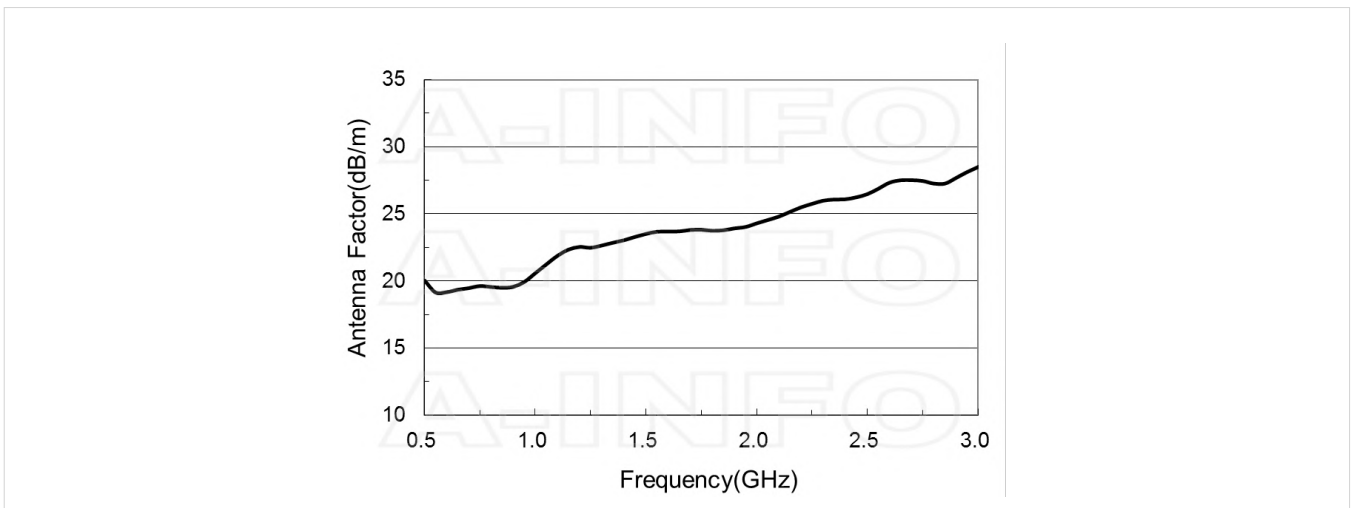


## Typical Test Results

### Gain



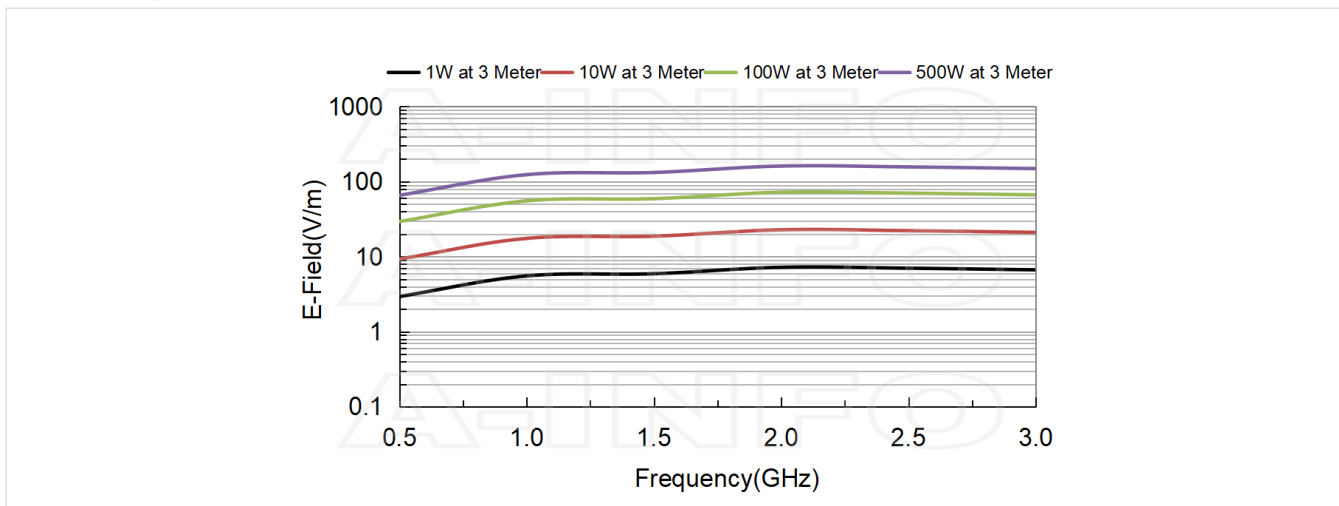
### Antenna Factor



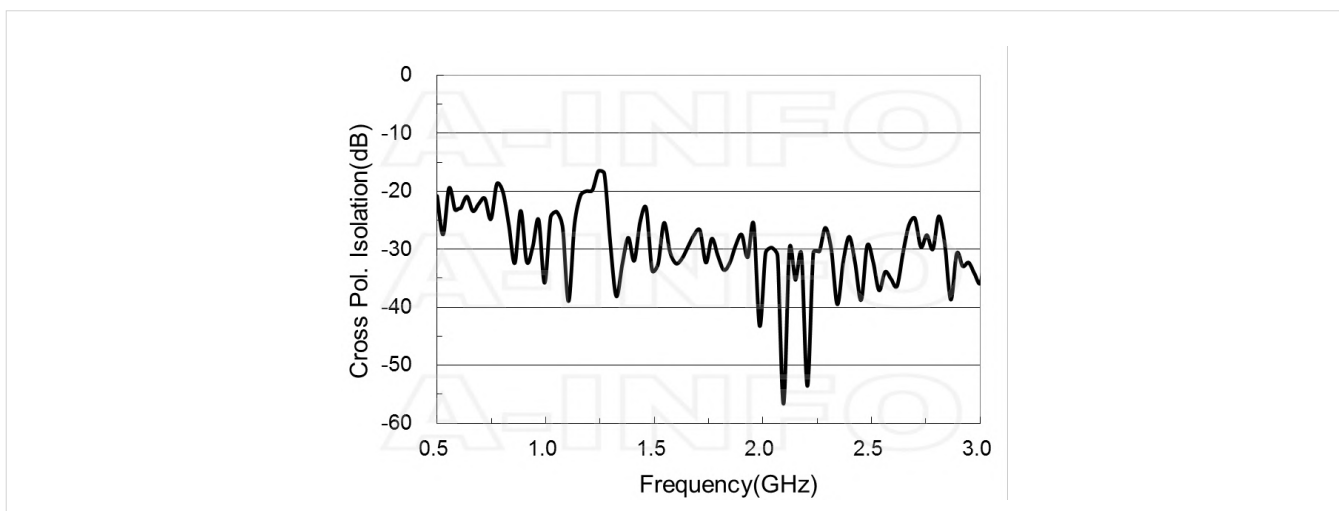
### Antenna Factor (Table)

Frequency(GHz)	Gain(dBi )	Antenna Factor(dB/m)
0.5	4.14	20.05
0.6	6.61	19.16
0.7	7.65	19.46
0.8	8.72	19.55
0.9	9.73	19.56
1.0	9.64	20.57
1.5	10.23	23.51
2.0	11.94	24.29
2.5	11.70	26.47
3.0	11.26	28.50

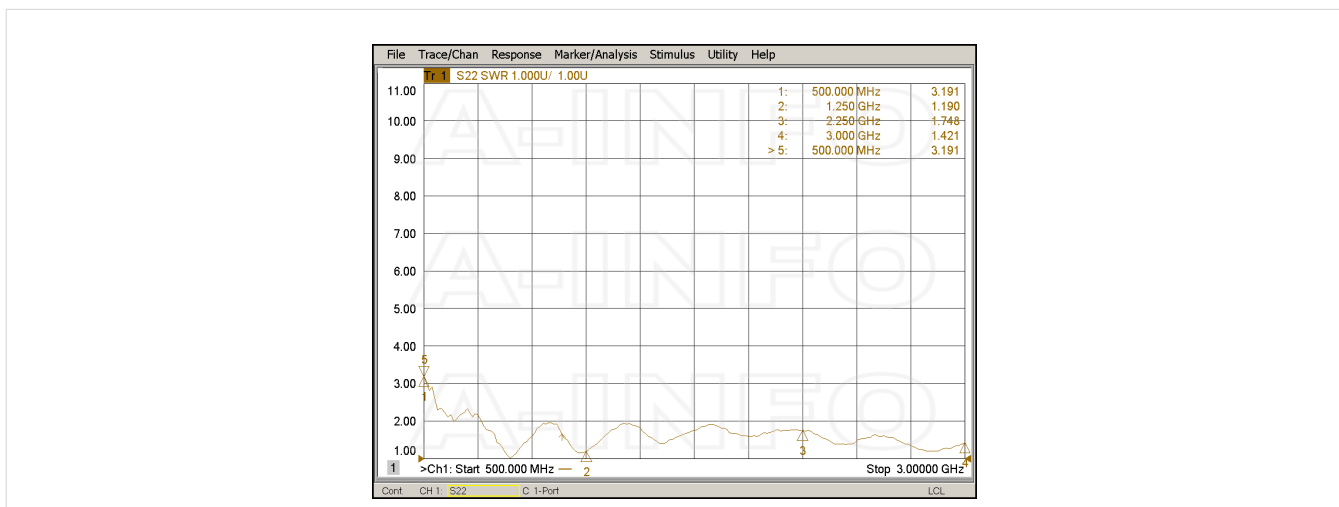
## Field Strength



## Cross Polarization Isolation

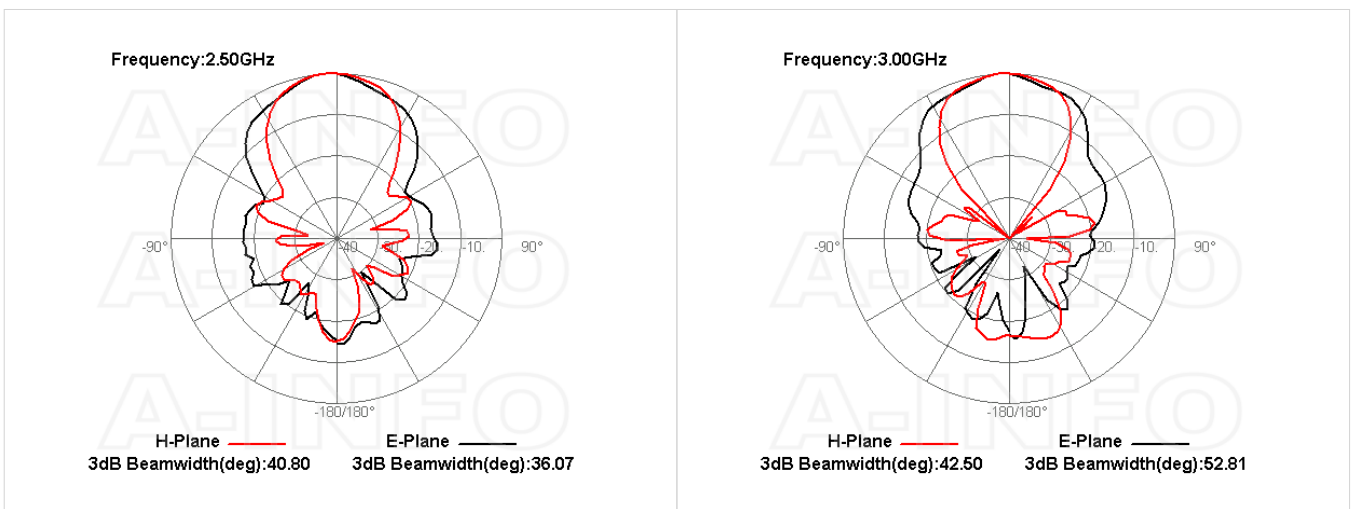
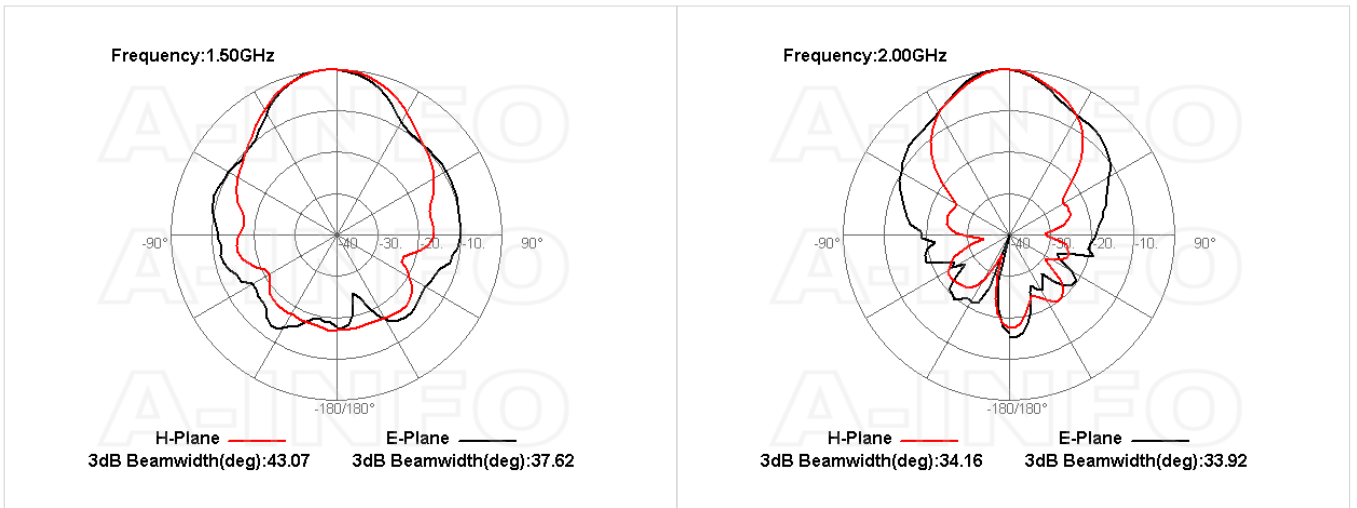


## VSWR



Pattern





### Related Products



LB-660-L L Type Mounting Bracket



Tripod\_50Kg Al Alloy Tripod



Carrying Case\_LB-660 Al Alloy Carrying Case



NM-NM-A050-1000 Flexible Cable Assembly 1000mm DC-18GHz N Male to N Male



NM-NM-A050-1500 Flexible Cable Assembly 1500mm DC-18GHz N Male to N Male



NM-NM-A050-2000 Flexible Cable Assembly 2000mm DC-18GHz N Male to N Male



NM-NM-A050-3000 Flexible Cable Assembly 3000mm DC-18GHz N Male to N Male



NM-NM-A050-5000 Flexible Cable Assembly 5000mm DC-18GHz N Male to N Male



NM-NM-A050-10000 Flexible Cable Assembly 10000mm DC-18GHz N Male to N Male



NM-NM-A050-20000 Flexible Cable Assembly 20000mm DC-18GHz N Male to N Male



NM-NM-A100-500 Flexible Cable Assembly 500mm DC-18GHz N Male to N Male



NM-NM-A100-1000 Flexible Cable Assembly 1000mm DC-18GHz N Male to N Male



NM-NM-A100-1500 Flexible Cable Assembly 1500mm DC-18GHz N Male to N Male



NM-NM-A100-2000 Flexible Cable Assembly 2000mm DC-18GHz N Male to N Male



NM-NM-A100-3000 Flexible Cable Assembly 3000mm DC-18GHz N Male to N Male



NM-NM-A100-5000 Flexible Cable Assembly 5000mm DC-18GHz N Male to N Male



NM-NM-A100-10000 Flexible Cable Assembly 10000mm DC-18GHz N Male to N Male



NM-NM-A100-20000 Flexible Cable Assembly 20000mm DC-18GHz N Male to N Male

### Similar Products



LB-530-NF Broadband Horn  
Antenna 0.5-3.0 GHz 11dB Gain N  
Type Female



LB-530-NFSPS Broadband Horn  
Antenna 0.5-3GHz 11dB Gain N  
Type Female



LB-560-NF Broadband Horn  
Antenna 0.5-6.0 GHz 11dB Gain N  
Type Female



LB-560-NFSPO Broadband Horn  
Antenna 0.5-6GHz 11dB Gain N  
Type Female



LB-660-NF Broadband Horn  
Antenna 0.6-6.0 GHz 11dB Gain N  
Type Female



LB-660-NFSPO Broadband Horn  
Antenna 0.6-6GHz 11dB Gain N  
Type Female



LB-OSJ-0460-NF Open Boundary  
Quad-Ridged Dual Polarization  
Horn Antenna 0.4-6GHz 12dB  
Gain N Type Female



LB-OSJ-0460-SF Open Boundary  
Quad-Ridged Dual Polarization  
Horn Antenna 0.4-6GHz 12dB  
Gain SMA Female



LB-OSJ-0760-NF Open Boundary  
Quad-Ridged Dual Polarization  
Horn Antenna 0.7-6GHz 11dB  
Gain N Type Female



LB-OSJ-0760-SF Open Boundary  
Quad-Ridged Dual Polarization  
Horn Antenna 0.7-6GHz 11dB  
Gain SMA Female

### About this Datasheet

- **Product Information**

Product Link:  
<https://www.ainfoinc.com/lb-530-nfspo-broadband-horn-antenna-0-5-3-ghz-11db-gain-n-type-female>  
Data subject to change without notice.  
© A-INFO INC. 2024. All Rights Reserved

- **Contact Us**

Address:  
60 Tesla, Irvine, CA 92618,  
USA

Website:  
[www.ainfoinc.com](http://www.ainfoinc.com)

Email:  
[sales@ainfoinc.com](mailto:sales@ainfoinc.com)

- **Phone & Fax**

Phone:  
+1-949-639-9688  
+1-949-639-9608

Fax:  
+1-949-639-9670