



LB-560-NF Broadband Horn Antenna 0.5-6.0 GHz 11dB Gain N Type Female

Broadband Horn Antenna Operating From 0.5 GHz to 6.0 GHz With a Nominal 11 dB Gain With N Type Female Connector

Product Information

SKU	LB-560-NF	Patents	ZL201630454778.X (China)
-----	-----------	---------	--------------------------

Description

Broadband horn antenna LB-560-NF, operating from 0.5 to 6 GHz with a nominal 11dB gain and low VSWR 2.0:1 with N Type Female output connector. The model LB-560-NF has uniform gain through its frequency span, providing efficient performance characteristics and directionality. It can handle 500 W continuously and 800 W peak power. Constructed of lightweight corrosion-resistant aluminum, the antenna will provide years of trouble-free indoor and outdoor service. This broadband horn antenna is linearly polarized and ideally suited for EMI testing, direction finding, surveillance, antenna gain and pattern measurements and other applications.

Technical Specification

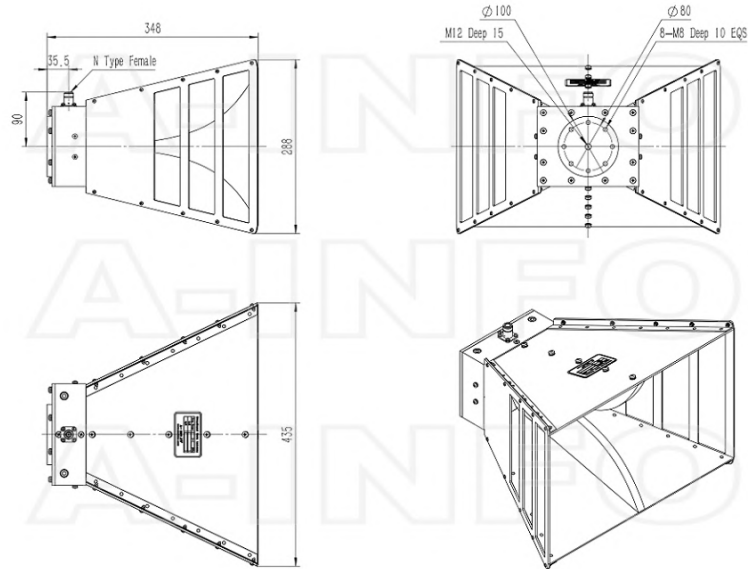
Electrical Specification		Interface	
Frequency, Min (GHz)	0.5	Output Type	Coaxial
Frequency, Max (GHz)	6	Connector	N Type
Gain, Typ (dBi)	11	Connector Gender	Female
Polarization	Linear	Mechanical Specification	
3dB Beamwidth, E-Plane, Min (Deg.)	33	Body Material	Al
3dB Beamwidth, E-Plane, Max (Deg.)	97	Finish	Chemical Conversion Coating and Sand Blasting
3dB Beamwidth, H-Plane, Min (Deg.)	34	Size, W (mm)	435
3dB Beamwidth, H-Plane, Max (Deg.)	75	Size, H (mm)	288
Cross Pol. Isolation, Typ (dB)	25	Size, L (mm)	348
VSWR, Typ	1.5:1	Weight, (kg)	6.8
Impedance, (Ohm)	50		
Power Handling, CW, (W)	500		
Power Handling, Peak, (W)	800		

Additional Information

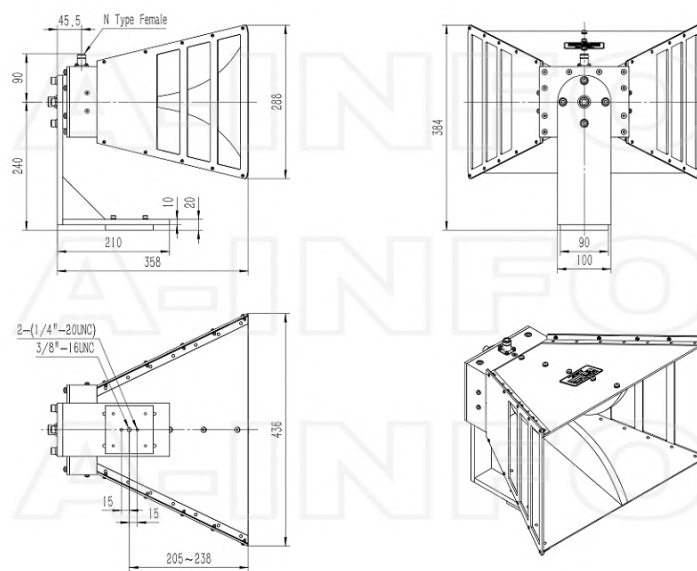
Application	General Purpose Indoor & Outdoor, Fixed	Solution for	Gain Reference Antenna Measurement Reflector Feed Far-field Measurement System Intergration
-------------	---	--------------	---

Outline Drawing

N-Female Output (P/N: LB-560-NF)

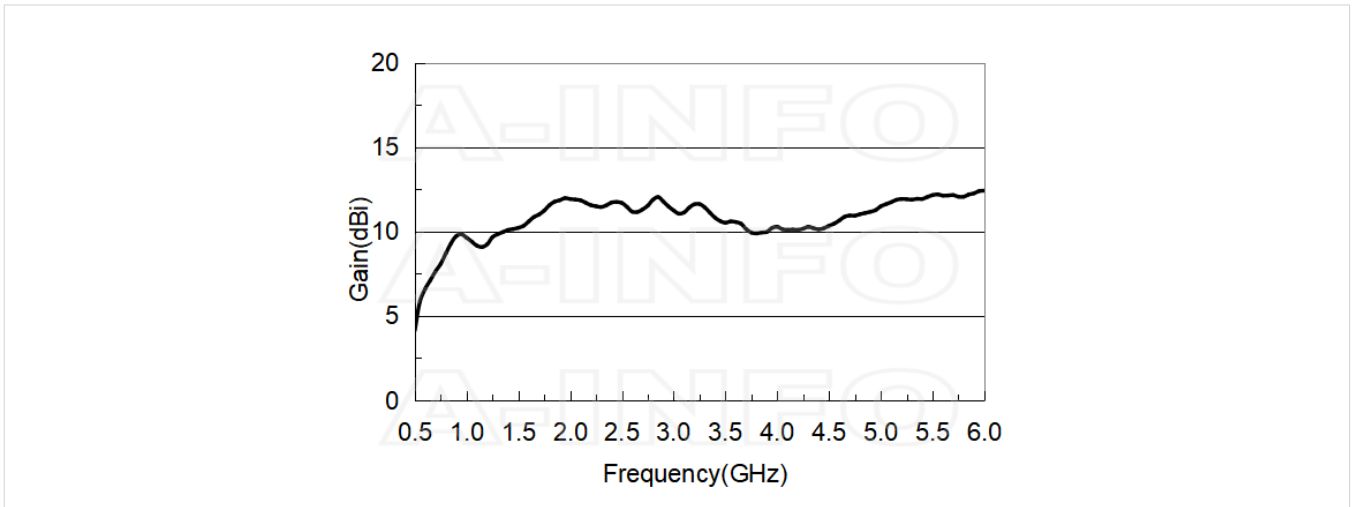


N-Female Output with L Type Mounting Bracket (Option, P/N: LB-660-L)

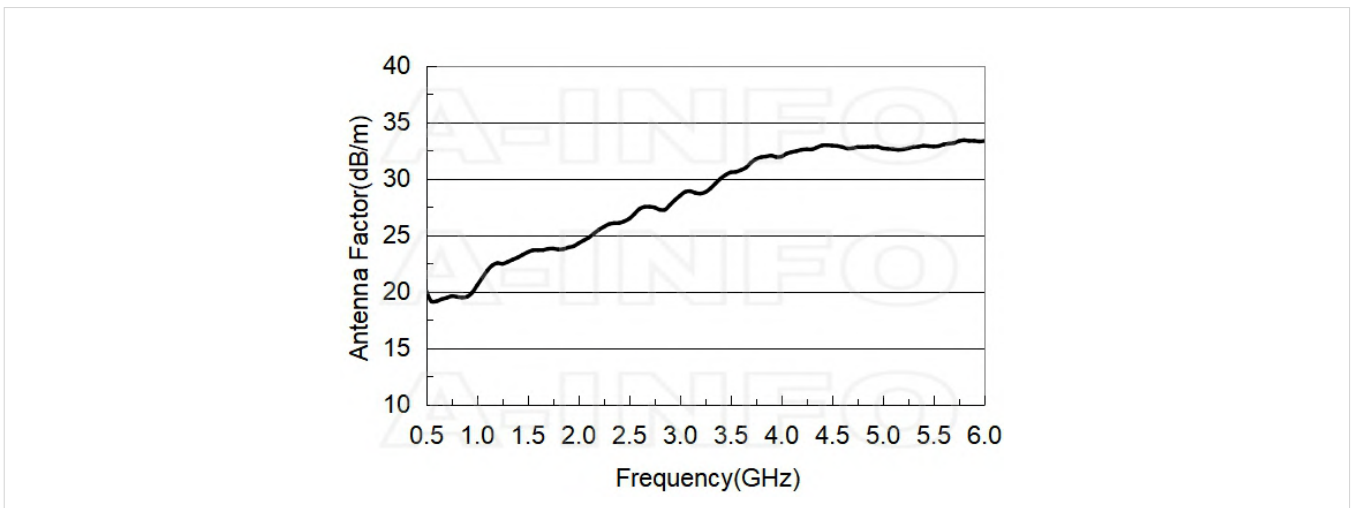


Typical Test Results

Gain



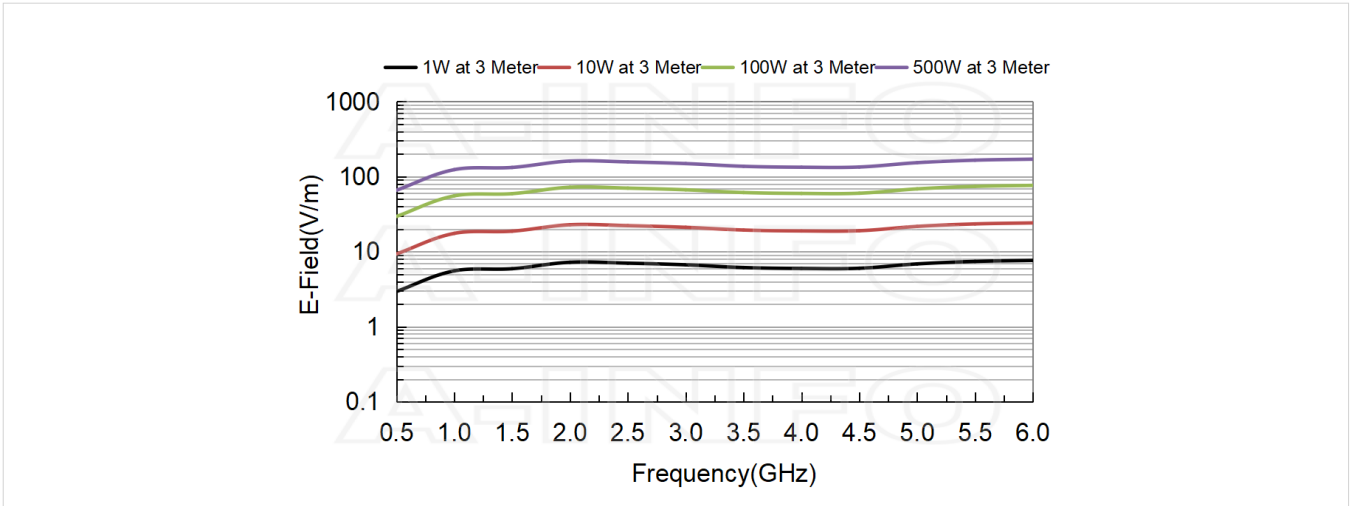
Antenna Factor



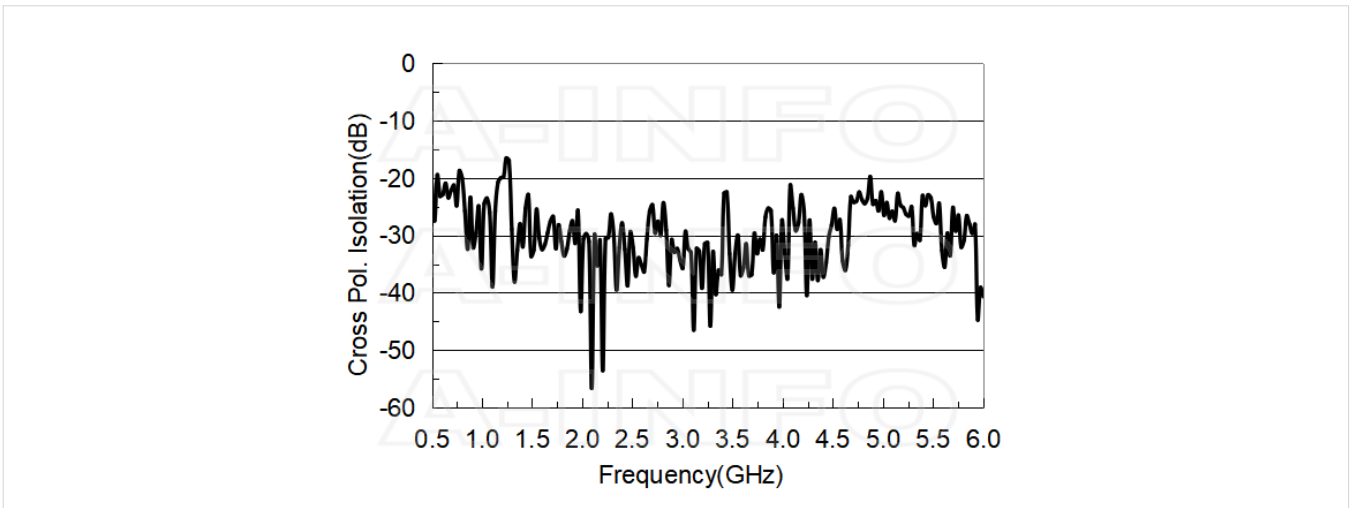
Antenna Factor (Table)

Frequency(GHz)	Gain(dBi)	Antenna Factor(dB/m)
0.5	4.14	20.05
0.6	6.61	19.16
0.7	7.65	19.46
0.8	8.72	19.55
0.9	9.73	19.56
1.0	9.64	20.57
2.0	11.94	24.29
3.0	11.26	28.50
4.0	10.29	31.96
5.0	11.50	32.69
6.0	12.43	33.34

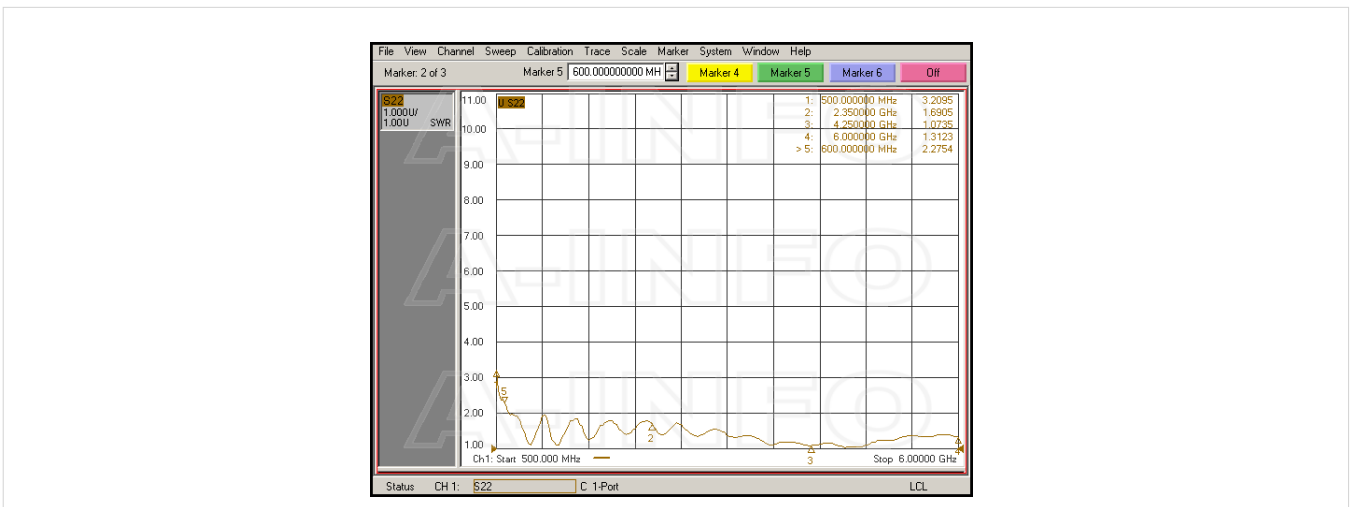
Field Strength



Cross Polarization Isolation

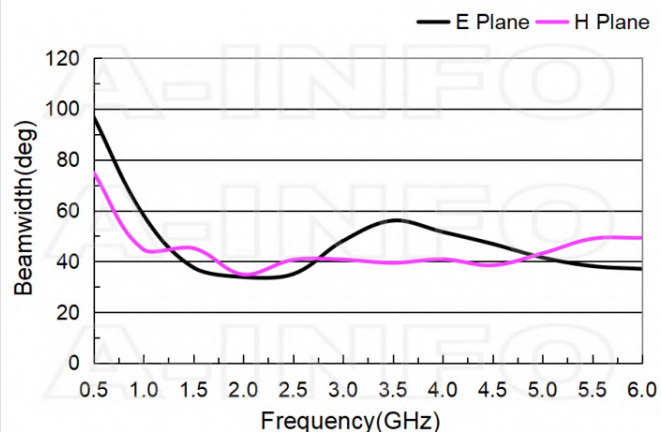


VSWR

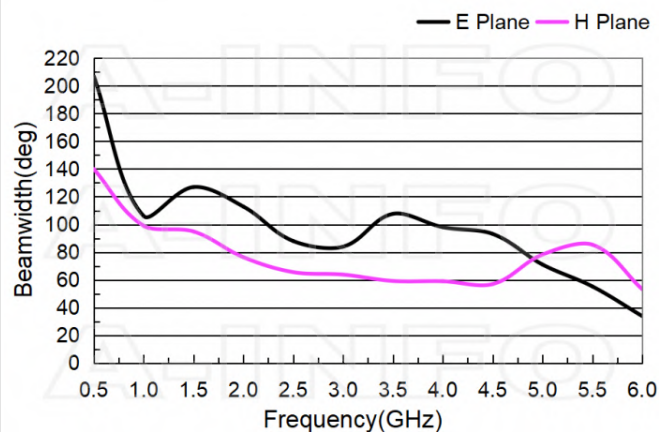


Beamwidth

3dB Beamwidth

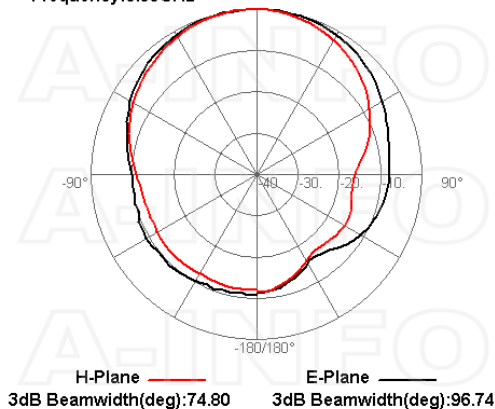


10dB Beamwidth

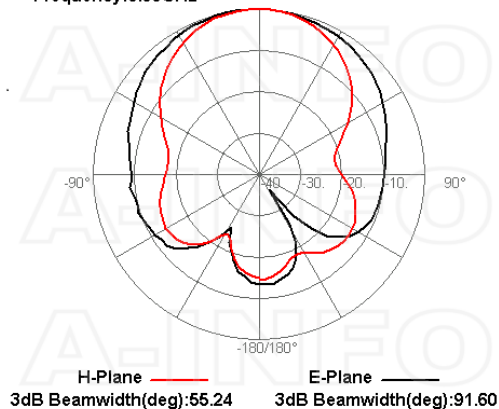


Pattern

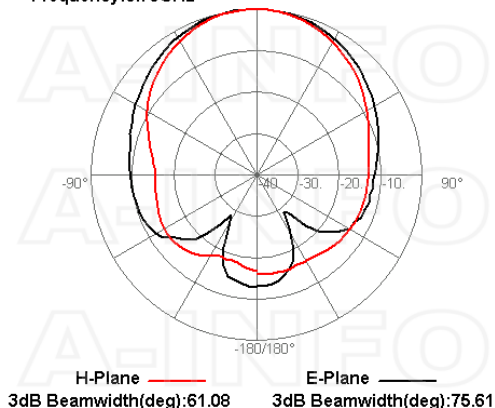
Frequency:0.50GHz



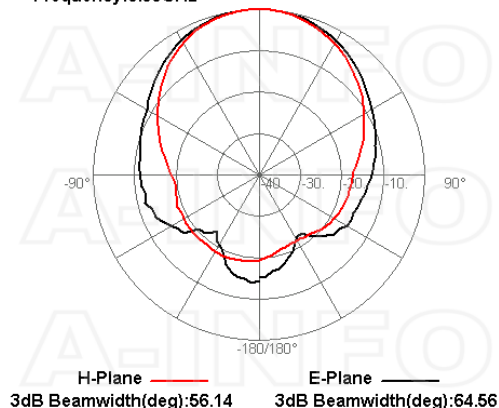
Frequency:0.60GHz



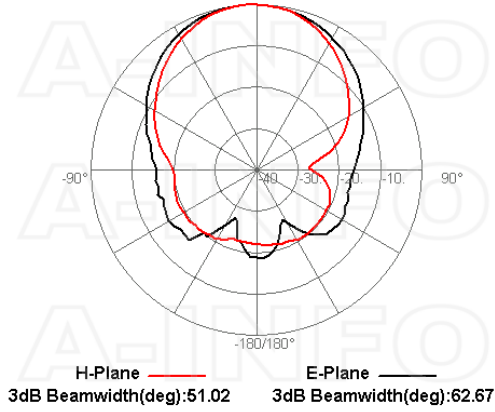
Frequency:0.70GHz



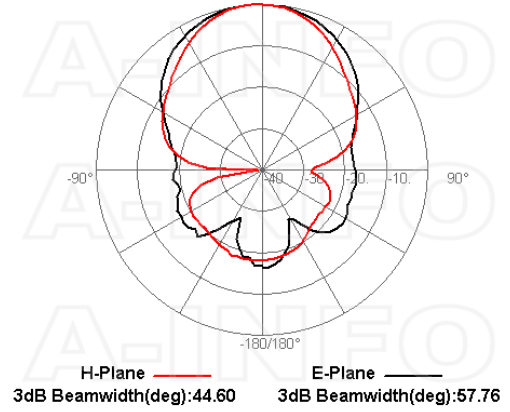
Frequency:0.80GHz



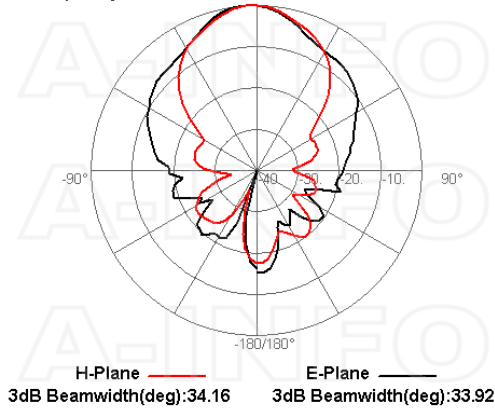
Frequency:0.90GHz



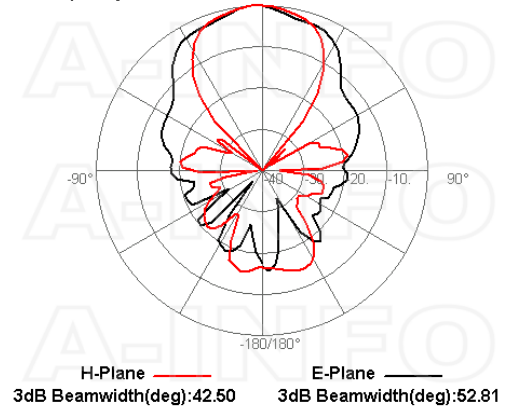
Frequency:1.00GHz



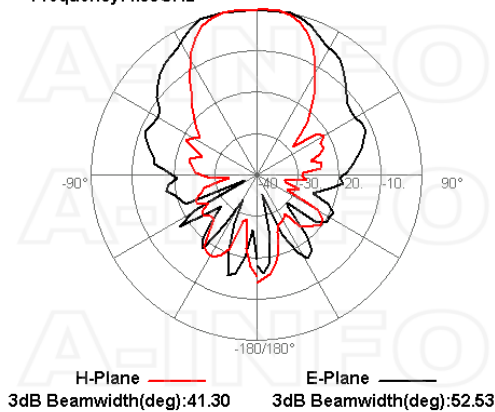
Frequency:2.00GHz



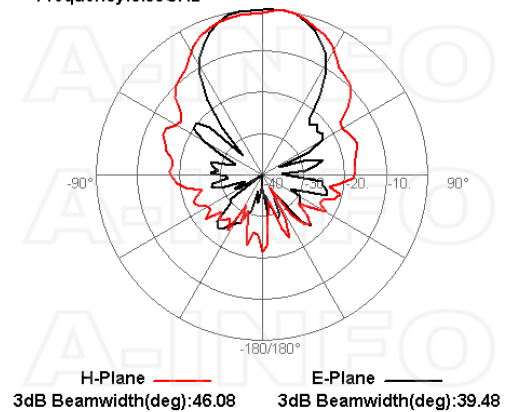
Frequency:3.00GHz

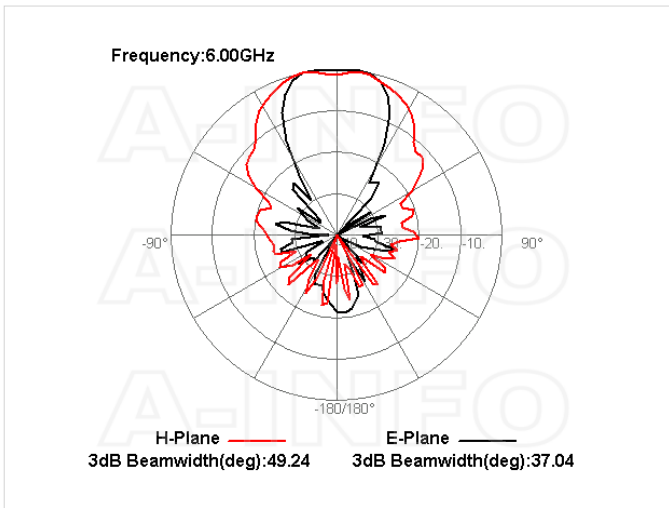


Frequency:4.00GHz



Frequency:5.00GHz





Related Products



LB-660-L L Type Mounting Bracket



Tripod_50Kg Al Alloy Tripod



Carrying Case_LB-660 Al Alloy Carrying Case



NM-NM-A050-1000 Flexible Cable Assembly 1000mm DC-18GHz N Male to N Male



NM-NM-A050-1500 Flexible Cable Assembly 1500mm DC-18GHz N Male to N Male



NM-NM-A050-2000 Flexible Cable Assembly 2000mm DC-18GHz N Male to N Male



NM-NM-A050-3000 Flexible Cable Assembly 3000mm DC-18GHz N Male to N Male



NM-NM-A050-5000 Flexible Cable Assembly 5000mm DC-18GHz N Male to N Male



NM-NM-A050-10000 Flexible Cable Assembly 10000mm DC-18GHz N Male to N Male



NM-NM-A050-20000 Flexible Cable Assembly 20000mm DC-18GHz N Male to N Male



NM-NM-A100-500 Flexible Cable Assembly 500mm DC-18GHz N Male to N Male



NM-NM-A100-1000 Flexible Cable Assembly 1000mm DC-18GHz N Male to N Male



NM-NM-A100-1500 Flexible Cable Assembly 1500mm DC-18GHz N Male to N Male



NM-NM-A100-2000 Flexible Cable Assembly 2000mm DC-18GHz N Male to N Male



NM-NM-A100-3000 Flexible Cable Assembly 3000mm DC-18GHz N Male to N Male



NM-NM-A100-5000 Flexible Cable Assembly 5000mm DC-18GHz N Male to N Male



NM-NM-A100-10000 Flexible Cable Assembly 10000mm DC-18GHz N Male to N Male



NM-NM-A100-20000 Flexible Cable Assembly 20000mm DC-18GHz N Male to N Male

Similar Products



LB-530-NF Broadband Horn Antenna 0.5-3.0 GHz 11dB Gain N Type Female



LB-530-NFSPO Broadband Horn Antenna 0.5-3GHz 11dB Gain N Type Female



LB-530-NFSPS Broadband Horn Antenna 0.5-3GHz 11dB Gain N Type Female



LB-560-NFSPO Broadband Horn Antenna 0.5-6GHz 11dB Gain N Type Female



LB-660-NF Broadband Horn Antenna 0.6-6.0 GHz 11dB Gain N Type Female



LB-660-NFSPO Broadband Horn Antenna 0.6-6GHz 11dB Gain N Type Female



LB-OSJ-0460-NF Open Boundary Quad-Ridged Dual Polarization Horn Antenna 0.4-6GHz 12dB Gain N Type Female



LB-OSJ-0460-SF Open Boundary Quad-Ridged Dual Polarization Horn Antenna 0.4-6GHz 12dB Gain SMA Female



LB-OSJ-0760-NF Open Boundary
Quad-Ridged Dual Polarization
Horn Antenna 0.7-6GHz 11dB
Gain N Type Female



LB-OSJ-0760-SF Open Boundary
Quad-Ridged Dual Polarization
Horn Antenna 0.7-6GHz 11dB
Gain SMA Female

About this Datasheet

<ul style="list-style-type: none"> • Product Information Product Link: https://www.ainfoinc.com/lb-560-nf-broadband-horn-antenna-0-5-6-0-ghz-11db-gain-n-type-female Data subject to change without notice. © A-INFO INC. 2024. All Rights Reserved 	<ul style="list-style-type: none"> • Contact Us Address: 60 Tesla, Irvine, CA 92618, USA Website: www.ainfoinc.com Email: sales@ainfoinc.com 	<ul style="list-style-type: none"> • Phone & Fax Phone: +1-949-639-9688 +1-949-639-9608 Fax: +1-949-639-9670
---	--	--